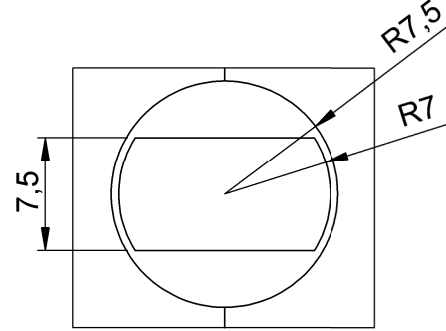
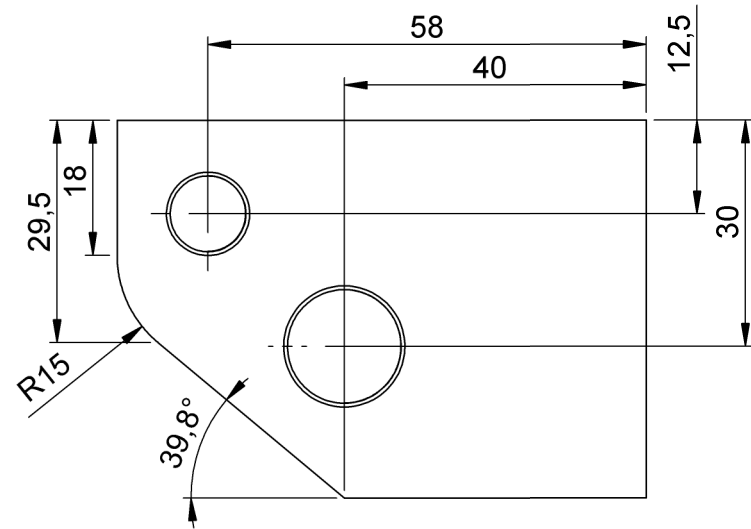
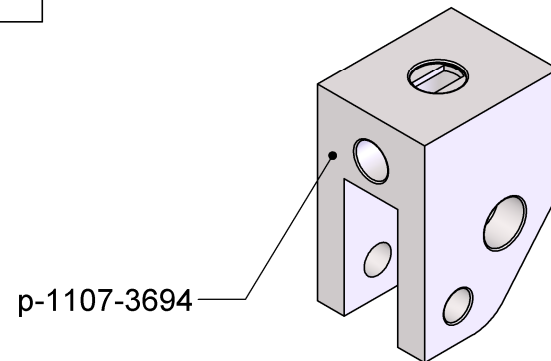


D-D



E (2 : 1)



General radius 0.5

Provisional

C						
B						
A	21/08/15	Original		PDB		
Rev.	Date	Description		Signed	Control	Custom. Approved

Material : 1.0037 (S235JR)	Dim. : 70 x 50 x 40	Th: Mass: 0.60	kg	QTY: 1
Treatment : frozen	Detail : 1mm gasnitrenen	Class1 : Flowpacker		
Code - Supplier :		Class2 : Feederconnector		

Title : Feeder connector /

Client id:	
Draw: p-1107-3694	
Part: p-1107-3694	
	alg. tol. DIN/ISO 2768-mK
Unit : mm	Page : 1/1
Format : A4	Scale : 1:1



PROFESSIONAL CAD SOLUTIONS

INFO@3DCADWORKS.BE